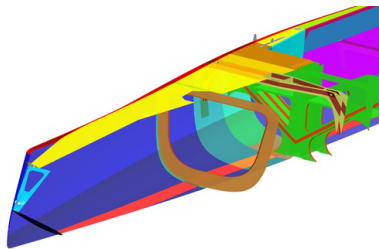




ST engineering

Schickler Tagliapietra pairs its overall yacht design with state-of-the-art consulting services. Whether finding unique solutions through parametric optimization, engineering advanced composite components, or analyzing and integrating modifications, we are your partner in yacht technology. We excel at providing high value and rapid turnaround, supporting boat builders, project managers, race teams, and design studios. Our extensive experience means we start with an advantage for your customized solution.

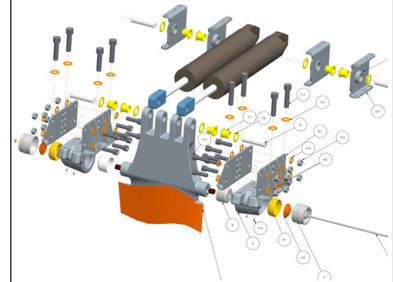
Structural optimisation



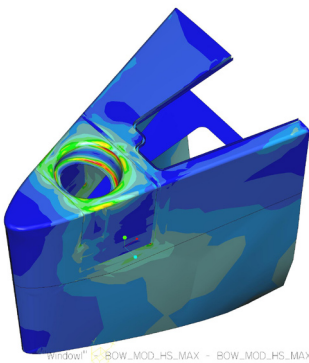
Rigs



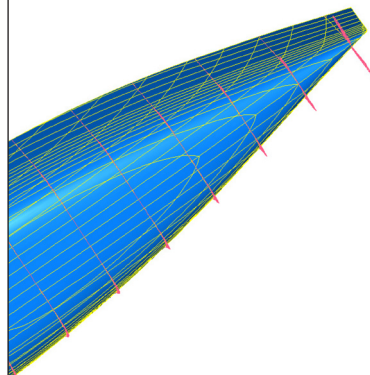
Performance keels



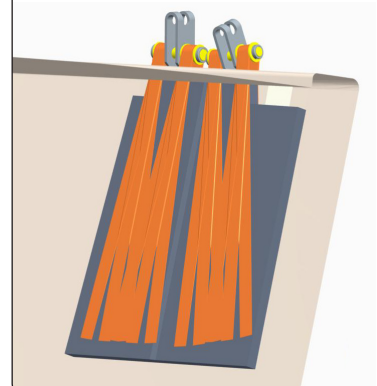
FEA



Lofting



Modifications



SHAPE DEVELOPMENT IN 3D

- Hull and primary surface design and fairing
- Parametric and/or free-form design of deck features and related forms
- Precision lifting surfaces, bulb and spar shapes

STRUCTURAL ANALYSIS AND OPTIMIZATION

- Parametric design optimization
- Composite engineering, global and detail
- Finite Element Analyses (FEA)

COMPONENT AND SYSTEM ENGINEERING

- Lifting and/or Canting Appendages
- Custom equipment, modifications, and system integration
- Masts and rigging, conventional or dynamic